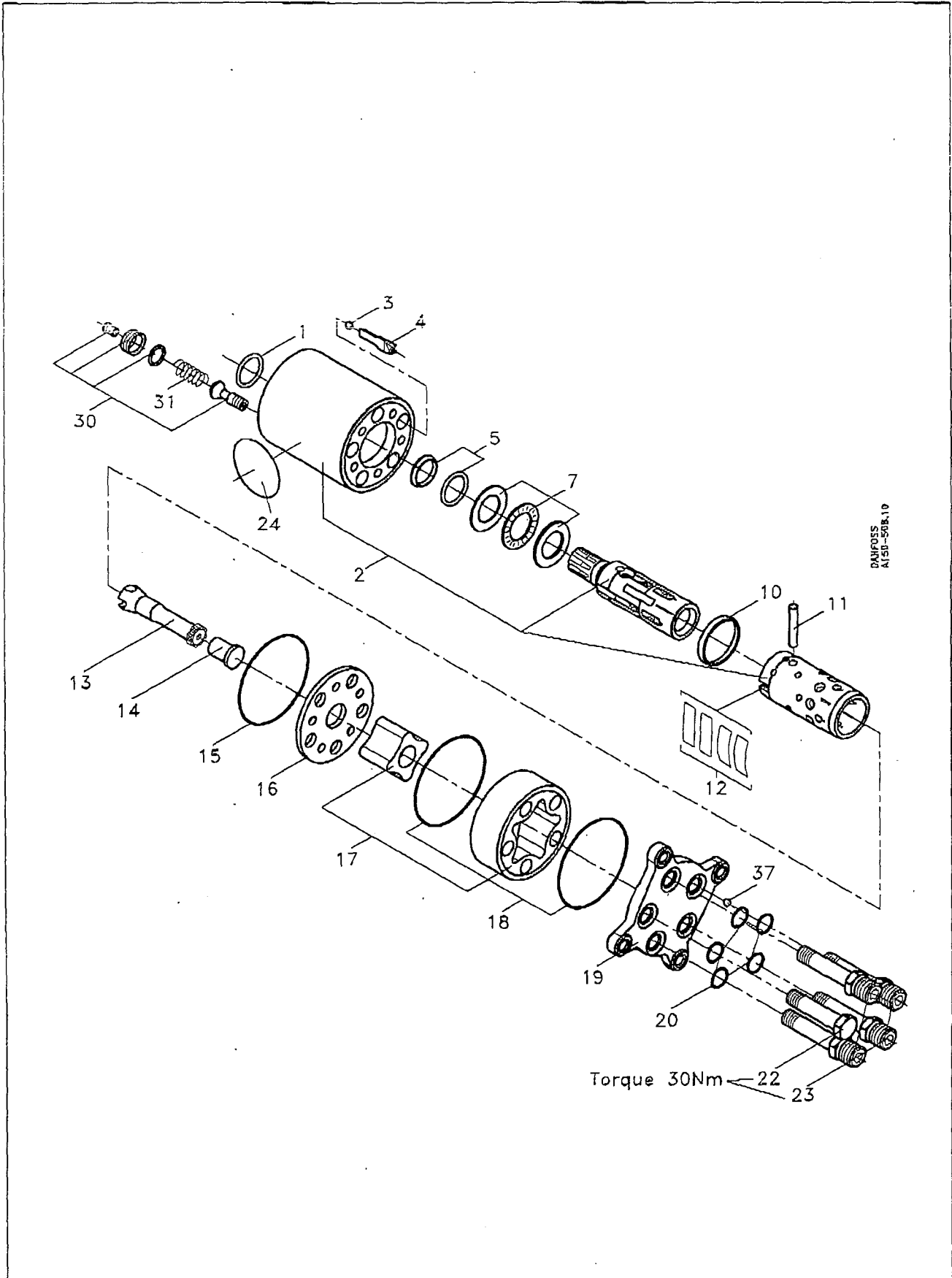


OSPM

Exploded view



077 463 1272

Spare parts list

Item	Spare parts	Dimension	Code no.	Comments	Number per unit
1	Dust seal ring	26 x 19 x 4	150L0396	Integrated column	1
2	Housing spool and sleeve			(not sold separately)	1
3	Ball	ø3/16"	689X1005		1
4	Ball stop	29	150L0462	ON with check valve in P-port, item 37	1
		42	150L0463	PB with check valve in P-port, item 37	1
		34	150L0464	ON + PB, without check valve in P-port	1
5	Shaft seal	21,9 x 17,5 x 3,1	150L4011	Integrated column	1
		23,4 x 19 x 3	150L4012		1
7	Bearing		150L4046		1
10	Ring		150L0380		1
11	Cross pin		150L0381		1
12	Set of springs		150L4055		1
13	Cardan shaft	63,2	150L0323	ON units	1
		76,2	150L0324	PB units	1
14	Spacer	5,9	150L0444	32 cm ³	1
		12	150L0442	50 cm ³	1
		18,9	150L0447	70 cm ³	1
		22,3	150L0440	80 cm ³	1
		29,1	150L0443	100 cm ³	1
15	O-ring	60 x 1,5	633B0365		1
16	Distributor plate		150L0339		1
17	Gearwheel set	32 cm ³	150L4005		1
		50 cm ³	150L4003		1
		63 cm ³	150L4002		1
		70 cm ³	150L4007		1
		80 cm ³	150L4001		1
		100 cm ³	150L4009		1
18	O-ring	60 x 1,5	633B0365		2
19	End cover		150L0392		1
20	O-ring	10 x 1,5	633B1103		5
22	Special screw, incl. O-ring	32,1	150L4445	For OSPM 32 ON	1
		38,2	150L4443	For OSPM 50 ON	1
		42,7	150L4442	For OSPM 63 ON	1
		44,9	150L4435	For OSPM 70 ON	1
		47,6	150L4441	For OSPM 80 ON	1
		55,3	150L4432	For OSPM 100 ON	1
23	Special screw, incl. O-ring	32,1	150L4425	For OSPM 32 ON / PB	4/5
		38,2	150L4423	For OSPM 50 ON / PB	4/5
		42,7	150L4425	For OSPM 63 ON / PB	4/5
		44,9	150L4425	For OSPM 70 ON / PB	4/5
		47,6	150L4421	For OSPM 80 ON / PB	4/5
		55,3	150L4420	For OSPM 100 ON / PB	4/5
24	Name plate		150A6006		1
30	Complete relief valve		150L4056	(excl. spring)	1

Spare parts list

Item	Spare parts	Dimension	Code no.	Comments	Number per unit
31	Spring for relief valve				
	45 - 55 bar		663X6175		1
	54 - 70 bar		663X6177		1
	65 - 85 bar		663X6176		1
	80 - 100 bar		663X6178		1

Set of seals 150L4054

Item	Spare parts	Dimension	Code no.	Comments	Number per unit
1	Dust seal	26 x 19 x 4	150L0396	Integrated column	1
5	Shaft seal	21,9 x 17,5 x 3,1	150L4011		1
		23,4 x 19 x 3	150L4012	Integrated column	1
15	O-ring	60 x 1,5	633B0365		1
18	O-ring	60 x 1,5	633B0365		2
20	O-ring	10 x 1,5	633B1103		5
30	O-ring	12,4 x 1,78	633B1185	For relief valve adjusting screw	1

Tilspændingsmoment
Tightening torque
Anzugsmoment
Couple de serrage

Tightening torque		
Item	Nm	Lbf in
22	30 ± 3	265 ± 25
23		